



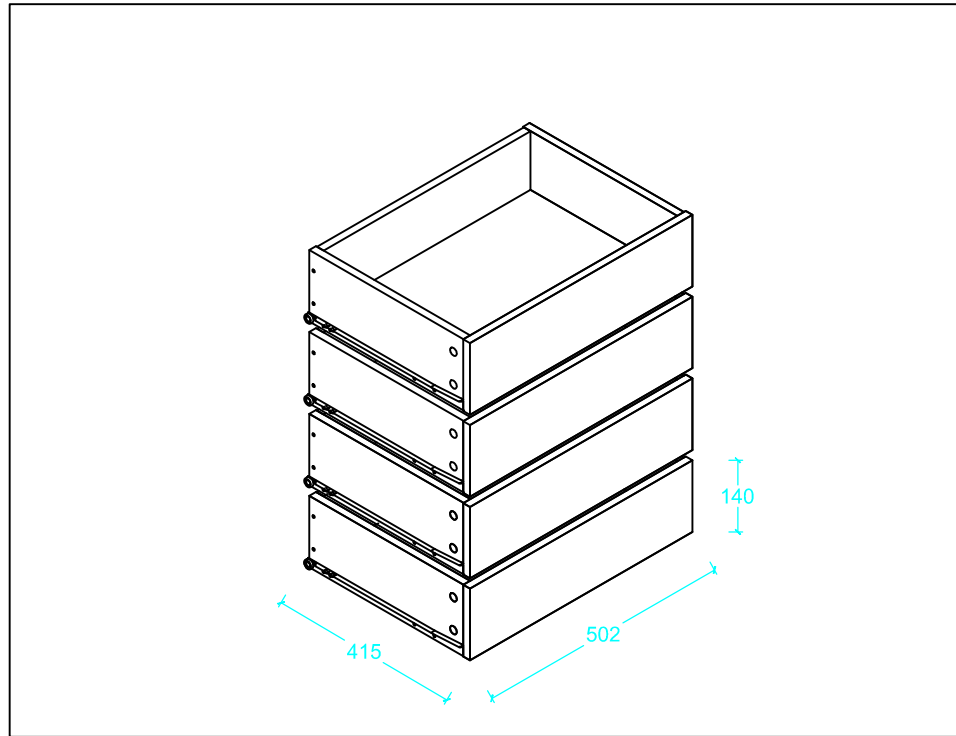
## ASSEMBLY INSTRUCTION

Spacemaster Babylon 4 Drawer Module

ITEM CODE 54917

Imported by Super Amart Pty Ltd, Qld, Brisbane Australia.

For any assistance with assembly or for missing parts please phone  
Super Amart Ewing Road, Customer Service Free call 1800 351 084



Imported by Super Amart Pty Ltd, Qld, Brisbane Australia.

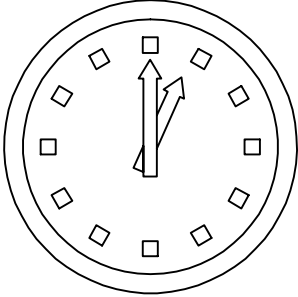
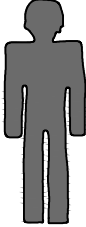
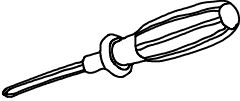
For any assistance with assembly or for missing parts please phone

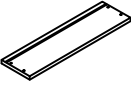
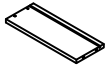
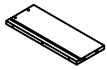
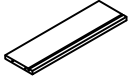
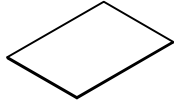


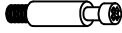

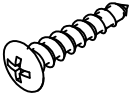

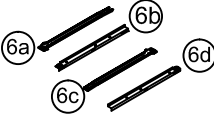

Super Amart Ewing Road, Customer Service Free call 1800 351 084

## PRE-ASSEMBLY PREPARATION

Before you start:

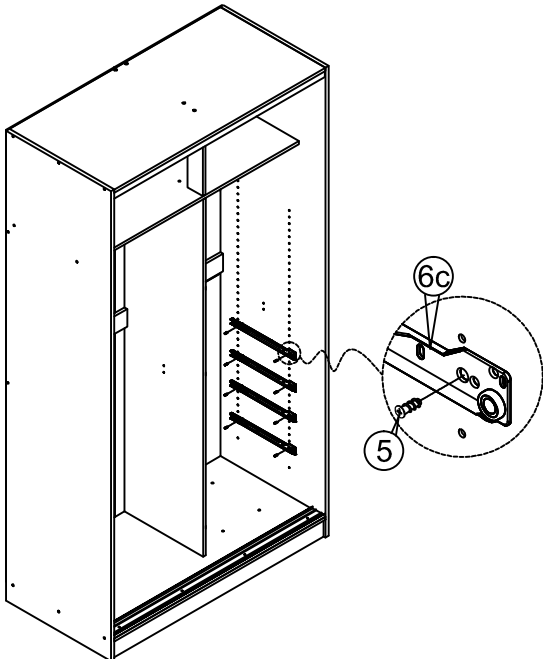
1. Choose a clean, level, spacious assembly area. Avoid hard surfaces that may damage the product.
2. Take care when lifting. Product should be assembled as near as possible to the point of use.
3. Ensure that you have all required contents for complete assembly.
4. Always read the assembly instructions carefully before beginning assembly.
5. Keep all hardware parts and packaging out of reach of small children.
6. Do not over tighten the screws and bolts as this may damage the threads.

 <p><b>60min</b></p>	 <p><b>1 People Required</b></p>
 <p><b>ADDITIONAL TOOLS REQUIRED</b></p>	

Drawer front panel	Drawer left side panel	Drawer right side panel	Drawer back panel	Drawer bottom panel	Drawer support panel	Cam lock	Cam bolt
A	B	C	D	E	F	①	②
							
4 PCS	4PCS	4 PCS	4 PCS	4 PCS	4 PCS	20 PCS	20PCS
502*140*15mm	400*136*15mm	400*136*15mm	466*136*15mm	477*395*3mm	384*60*15mm	Ø15 x 12 mm	Ø6 x 35 mm
Screw	Screw	Screw	Slide	Plastic cap			
③	④	⑤	⑥	⑦			
							
32 PCS	24 PCS	16 PCS	4 SETS	16PCS			
3.5 x 14 mm	D9 x M4 x 33 mm	Ø6 x 10mm	16"	Ø17.5 x 5 mm			

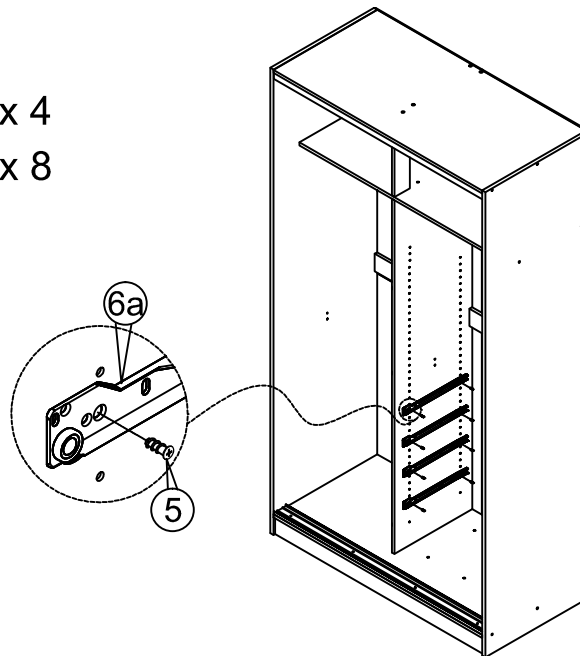
Step1: Fix slides ⑥c to robe vertical panel by screw ⑤ .

⑥c x 4  
⑤ x 8



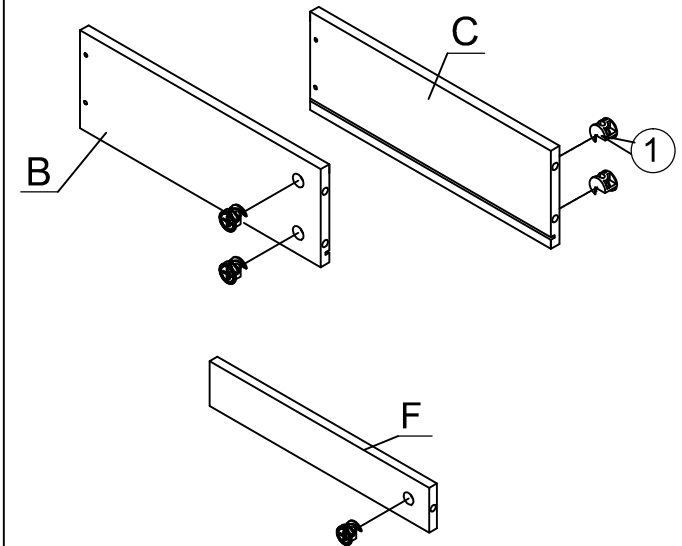
Step2: Fix slides ⑥a to robe vertical panel by screw ⑤ .

⑥a x 4  
⑤ x 8



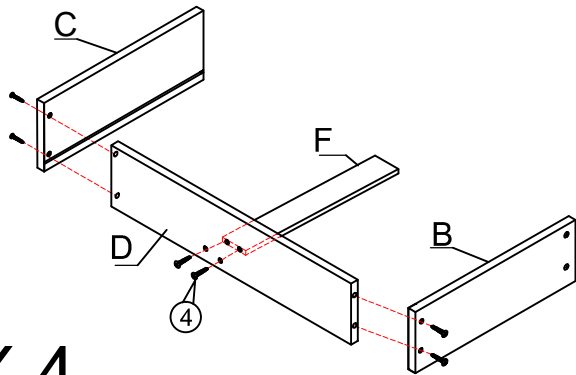
Step3: Insert Cam lock ① into panels (B)&(C) &(F).

① x 5



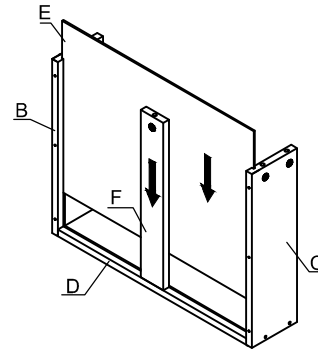
Step4: Joint panel (B) & (C) & (D) & (F) together by screw ④.

④ x 6



X 4

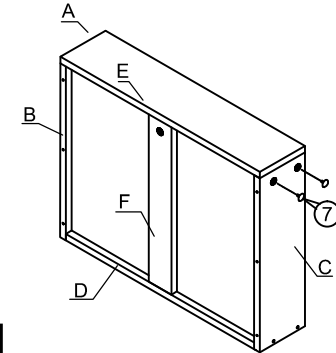
Step6: Insert panel (E) into the groove joint.



X 4

Step8: Lock Cam bolts and then cover plastic caps.

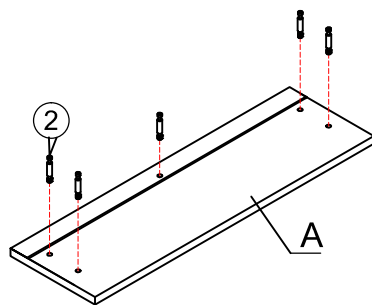
⑦ x 4



X 4

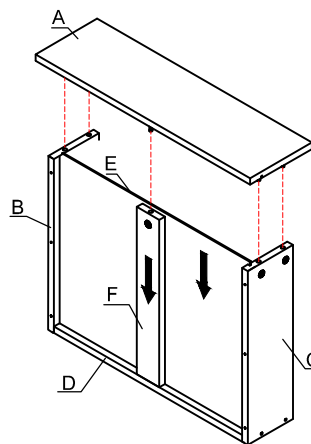
Step5: Insert Cam bolt ② into panel (A).

② x 5



X 4

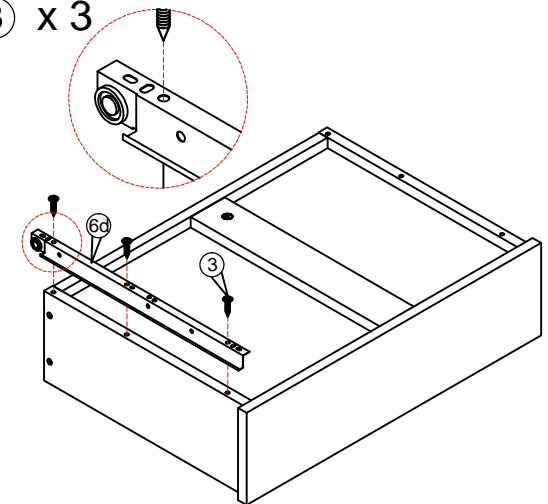
Step7: Joint front panel (A) & the drawer together.



X 4

Step9: Fix slide ⑥0 by screws ③.

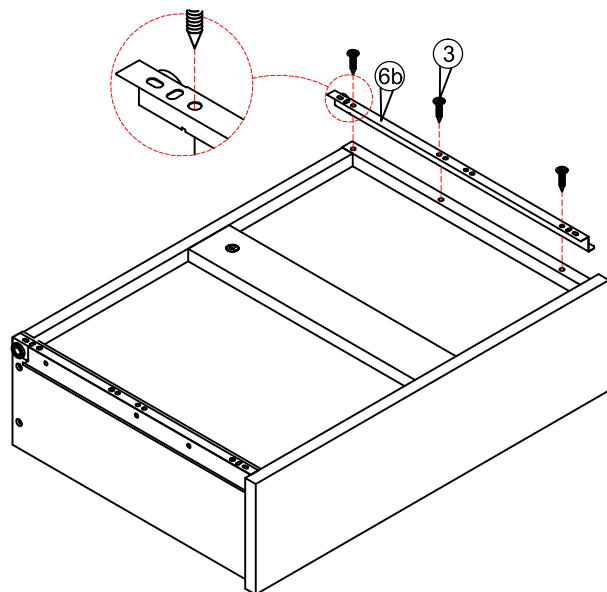
③ x 3



X 4

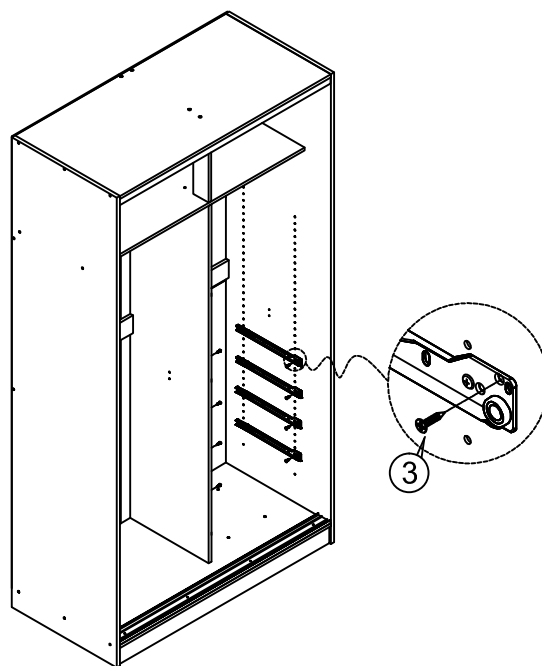
Step10: Fix slide ⑥b by screws ③.

③ x 3

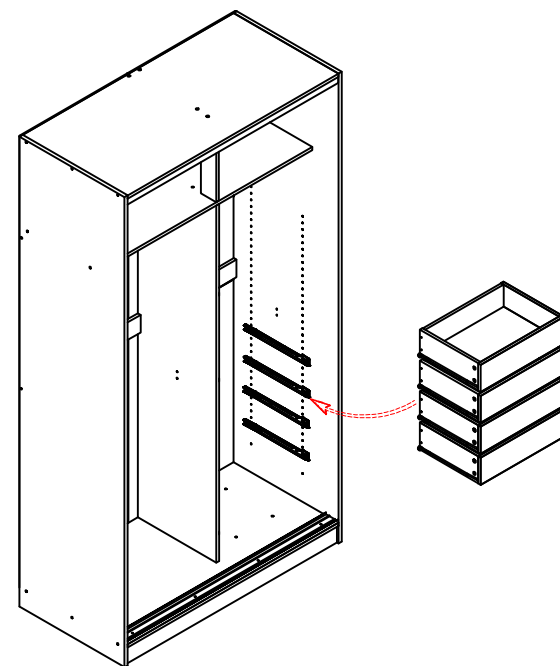


Step11: Fix slides by screws ③.

③ x 8



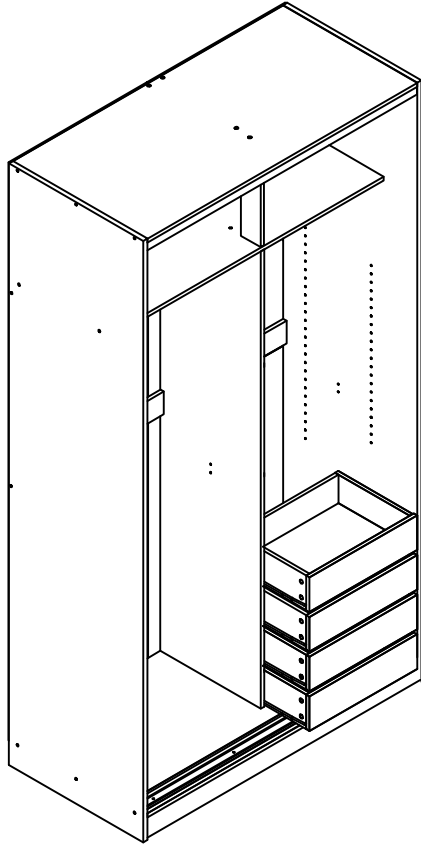
Step12: Insert 4 drawers into robe.



X 4

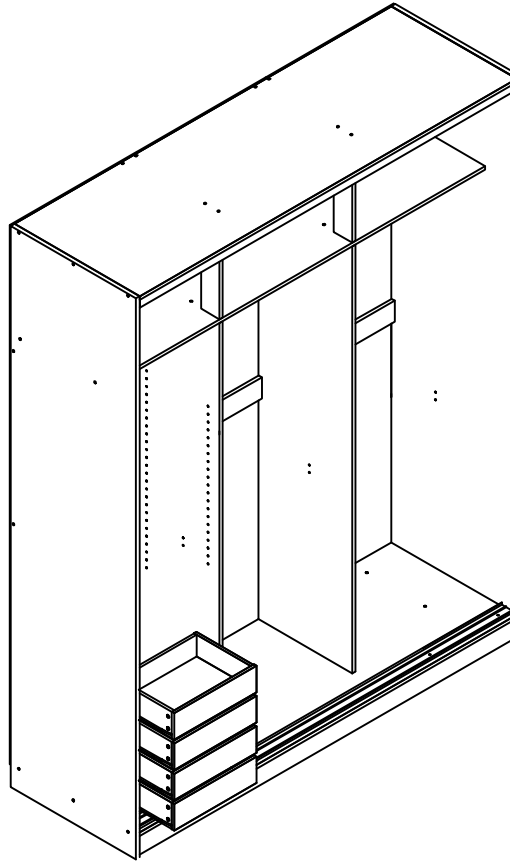
Spacemaster Babylon Medium Robe Frame

ASSEMBLY IS COMPLETE



Spacemaster Babylon Large Robe Frame

ASSEMBLY IS COMPLETE



Spacemaster Babylon Extra Large Robe Frame

ASSEMBLY IS COMPLETE

